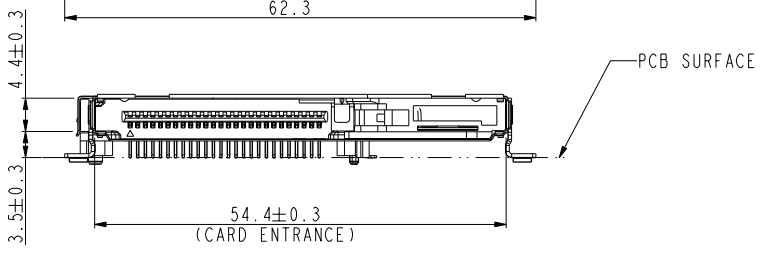
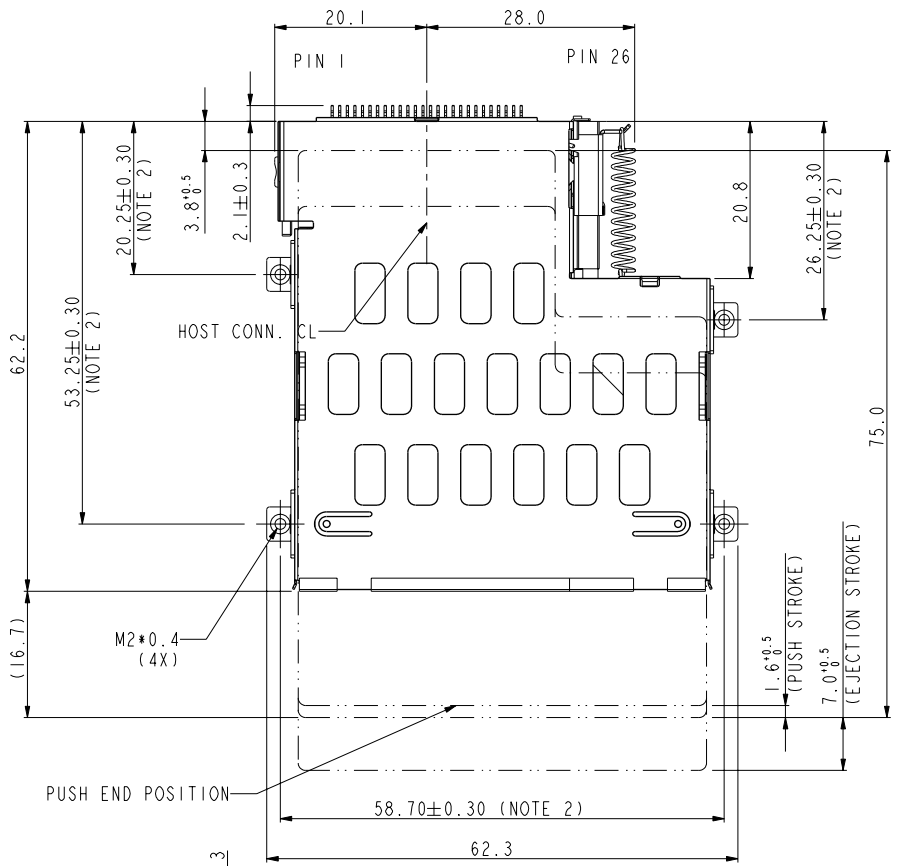




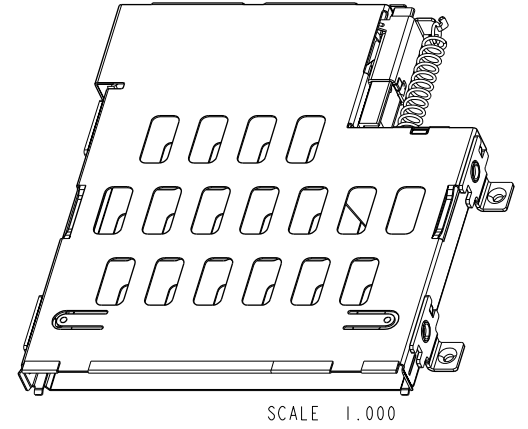
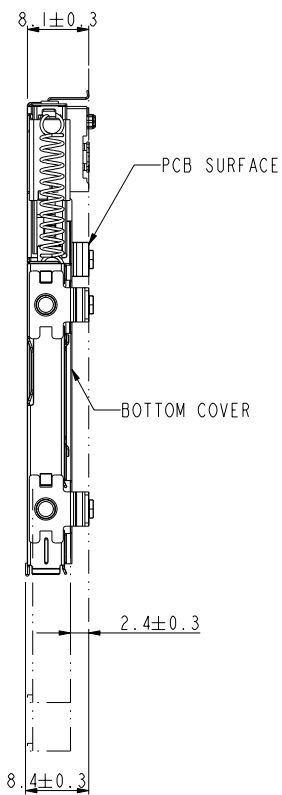
Tous droits strictement réservés. Reproduction ou communication à des tiers interdite sous quelque forme que ce soit sans autorisation écrite du propriétaire. Propriété de FCI. Droits de reproduction FCI.

All rights strictly reserved. Reproduction or issue to third parties in any form whatever is not permitted without written authority from the proprietor. Property of FCI. Copyright FCI.

PART NO.	MOUNTING	STAND-OFF	HOST CONN P/N	PRODUCT SPEC.	PACKING SPEC.	NOTE
10038774-22A	ABOVE	2.20MM	10030594-122AXXL	GS-12-301	GS-14-295	LEAD FREE
10038774-22ALF	ABOVE	2.20MM	10030594-122AXXL	GS-12-301	GS-14-295	LEAD FREE



SCALE 1.000



tolerance unless otherwise specified	
linear	.XX ± .5
angles	0° ± 2°

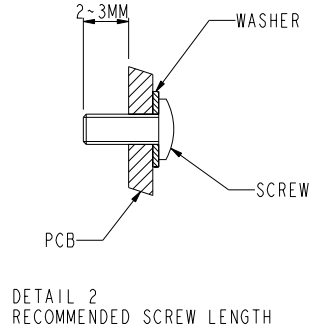
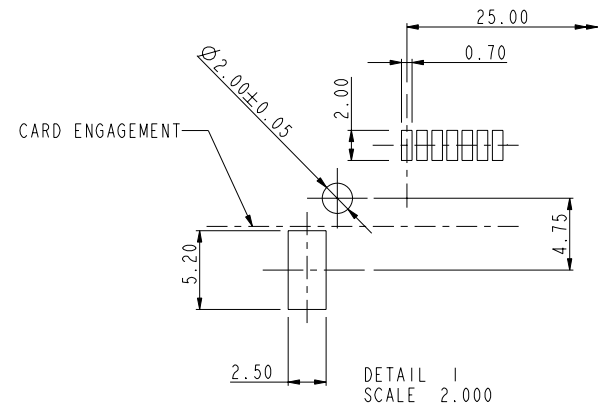
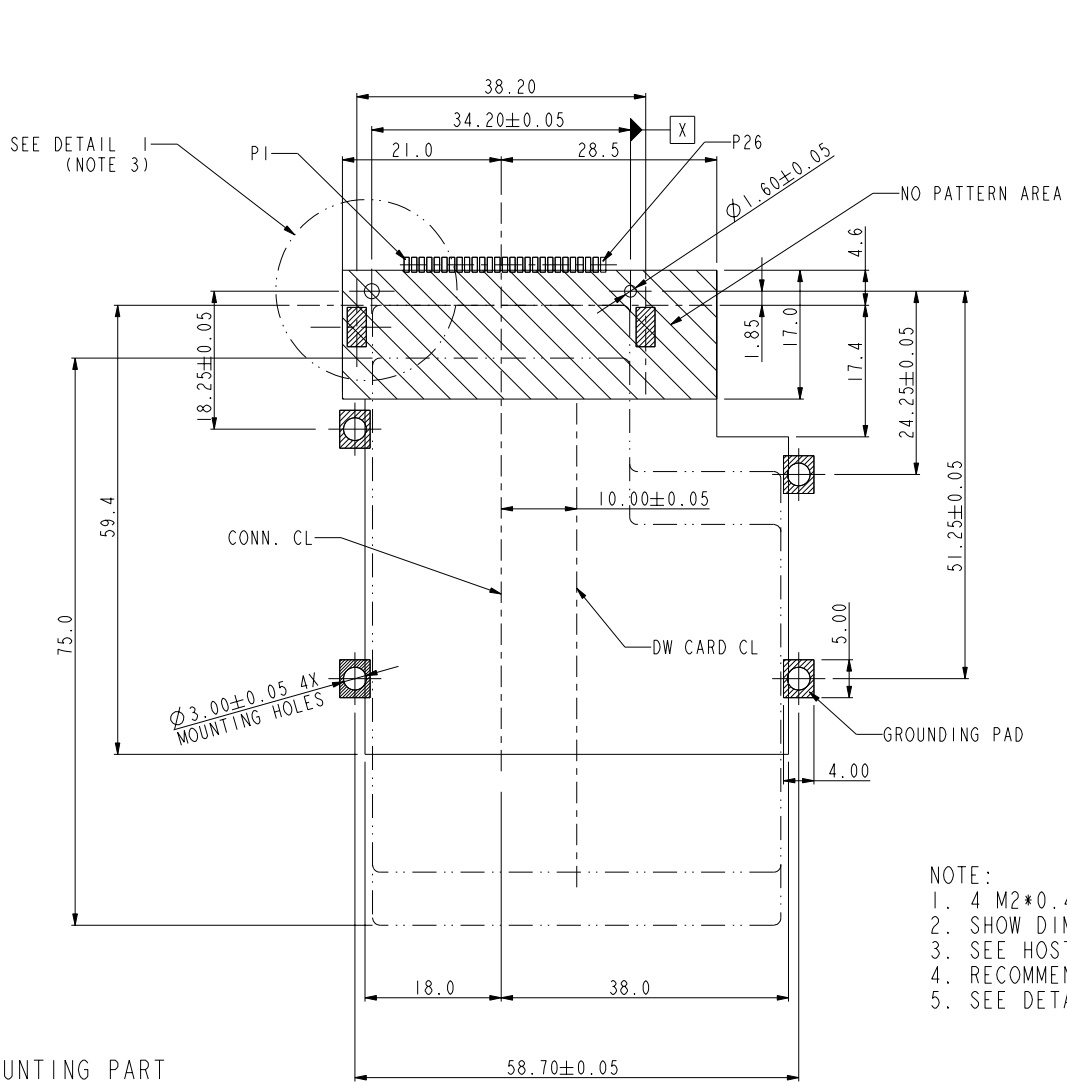
	www.fciconnect.com		<input checked="" type="checkbox"/> tolerance ASME Y14.5	projection	<input checked="" type="checkbox"/> MM
	Dr	KENNY TAI	02/02/04	Product family	size A4
Eng	KENNY TAI	02/02/04	Spec ref	*	Scale 1.000
Chr	KENNY TAI	02/02/04	Material	SEE NOTES	ECN T05-0244
Appr	PAUL WANG	02/02/04			
title	EXPRESSCARD HOST MECH.				dwg no 10038774
title	ABOVE MOUNT, 2.2MM STAND-OFF				
catalog no	10038774		CUSTOMER	sheet 1 of 2	

rev	ecn no	dr	date
A	T04-0411	TAI	11/22/04
B	T04-0426	TAI	12/08/04
C	T05-0244	TAI	11/02/05
-	-	-	-
-	-	-	-
-	-	-	-

Tous droits strictement réservés. Reproduction ou communication à des tiers interdite sous quelque forme que ce soit sans autorisation écrite du propriétaire. Propriété de FCI. Droits de reproduction FCI.

**FCI**

All rights strictly reserved. Reproduction or issue to third parties in any form whatever is not permitted without written authority from the proprietor. Property of FCI. Copyright FCI.



- NOTE:
1. 4 M2\*0.4P SCREWS WITH WASHER ARE REQUIRED.
  2. SHOW DIMENSION AFTER FASTENED TO PCB.
  3. SEE HOST CONNECTOR DRAWINGS FOR PCB LAYOUT DETAIL.
  4. RECOMMENDED TIGHTING TORQUE 1.6~1.8 KGF-CM.
  5. SEE DETAIL 2 FOR RECOMMENDED SCREW LENGTH.

RECOMMENDED PCB LAYOUT

SCALE 1.000

title	EXPRESSCARD HOST MECH. ABOVE MOUNT, 2.2MM STAND-OFF	dwg no	10038774	Rev.	C
catalog no	10038774	CUSTOMER	sheet 2 of 2		